



TG10

Condensate vessel

Version TG1, TG1/LA1, TG10, TK10, TK11, TK12/LA5, TK13

Special Features

- **Very corrosion resistant**
- **Liquid level always visible**
- **Different tube connections possible**
- **Level alarm possible**
- **With integrated outlet cock**

Application

The condensate collection vessels TG.. / TK.. are specially designed for application in the analysis technique and are used as condensate collectors in applications where automatic condensate removal is impossible, as e.g. for gas coolers, or where undesired small amounts of condensate occur.

When using peristaltic pumps as automatic condensate removal and expecting a high quantity of liquid carry over, the condensate collection vessel can also be used as a buffer vessel.

For safe operation, the condensate vessels can be equipped with a liquid-level alarm.

Description

The M&C condensate collection vessels TG1 and TG10 are made of industrial quality glass. This allows high resistance against corrosion as well as the ability to see inside the vessel. A GL25-12 mm clamp connector is provided for condensate inlet and in the case of the TG1 design also for an optional liquid alarm sensor (not in TG10) which is supplied sealed with a blank cover.

The outlet valve is fitted with a PTFE stopcock, ensuring easy access and hermetic sealing. All sample contacting parts are out of glass and PTFE. A wall mounting plate is supplied as part of standard delivery. The TG1/LA 1 design is supplied completely with a liquid sensor LA1 for conducting media and includes electronic LA 1.1 in a wall mounting housing. Special connector adapters for the connection of tubes to GL glass connections can be supplied optionally.

The M&C condensate vessels TK10-TK12/LA5 are made of PVC transparent. This allows high resistance against corrosion as well as the ability to see inside the vessel. Version TK12/LA5 has got a G3/8" connection for the condensate inlet. For additional junctions, the condensate vessel TK10 has two extra G1/4" connections which are sealed with plugs. The TK12 has one G1/4" connection for ventilation.

The condensate collection vessels TK11 and TK12/LA5 have got a connection thread M28 for the level switch LA5. The condensate vessel TK12/LA5 is completed with an integrated level switch LA5 and 1 m (39.37") connection cable LIYY 2 x 0.14 mm².

The hand drain valve from the TK10-TK12/LA5 is sealed with an FPM o-ring, this provides an easy handling and guarantees a proper sealing. Three additional G1/4" threads provide the possibility for easy vertical or horizontal connection. The horizontal connections are sealed with plugs.

The wall mounting carriers are included.

The 10 litre (2.64 gal.) M&C condensate collection vessel TK13 and TK13/LA5 with handle and stopcock are made of PE. For condensate inlet and ventilation there are three tube connections DN4/6 mm on the TK13 and TK13/LA5.

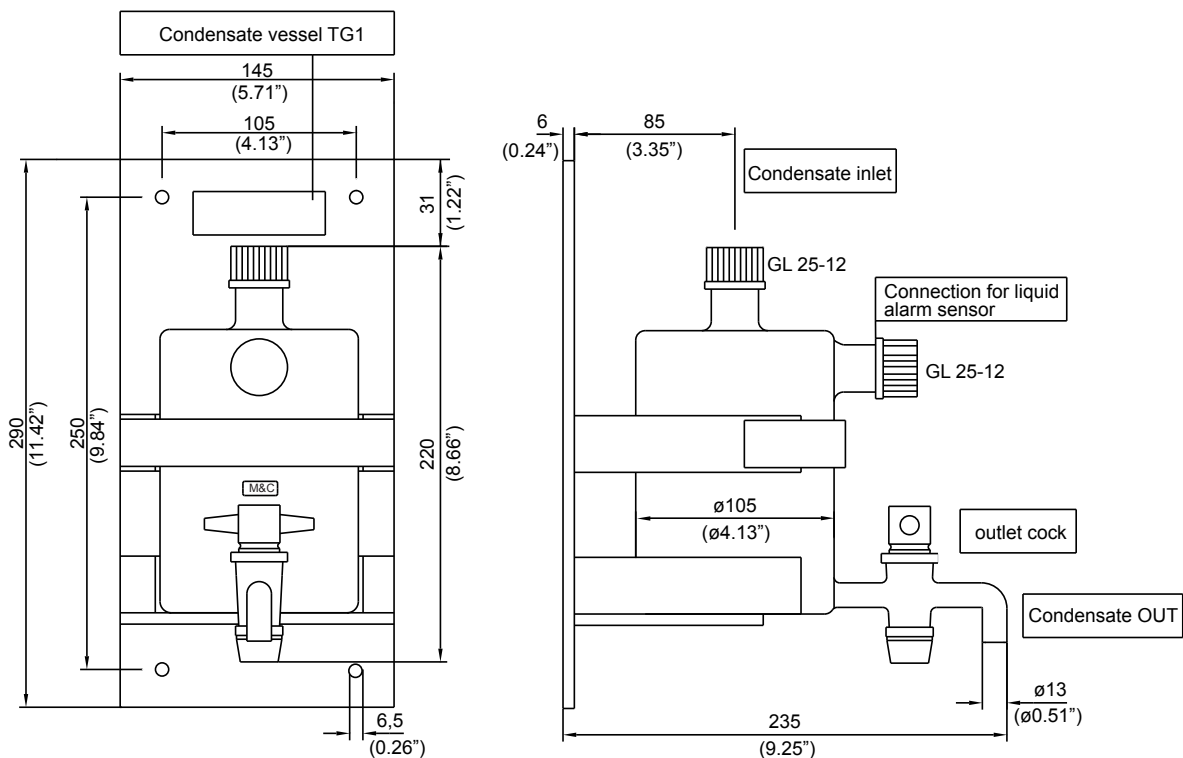
The condensate collection vessel TK13/LA5 is complied with an integrated level switch LA5 and 1 m (39.37") connection cable LIYY 2x 0.14 mm².

The level switch LA5 is supplied from the factory as a normal open contact.

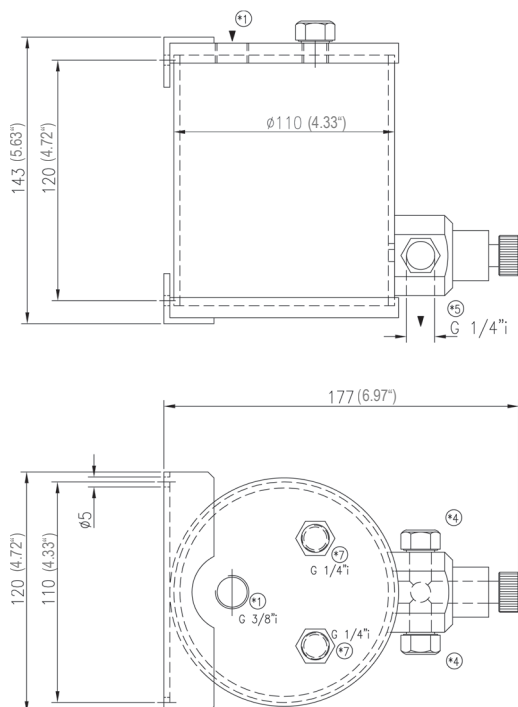
If you need a normal close contact, turn the float 180°.

Dimensions

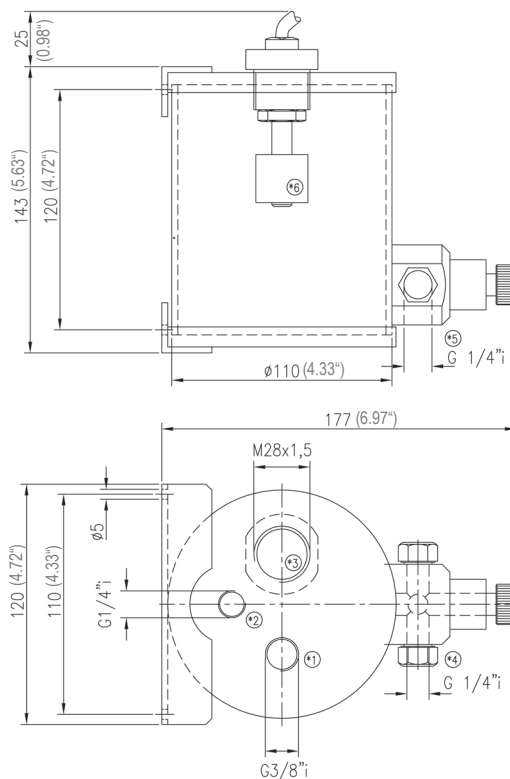
Condensate vessel TG1



Condensate vessel TK10



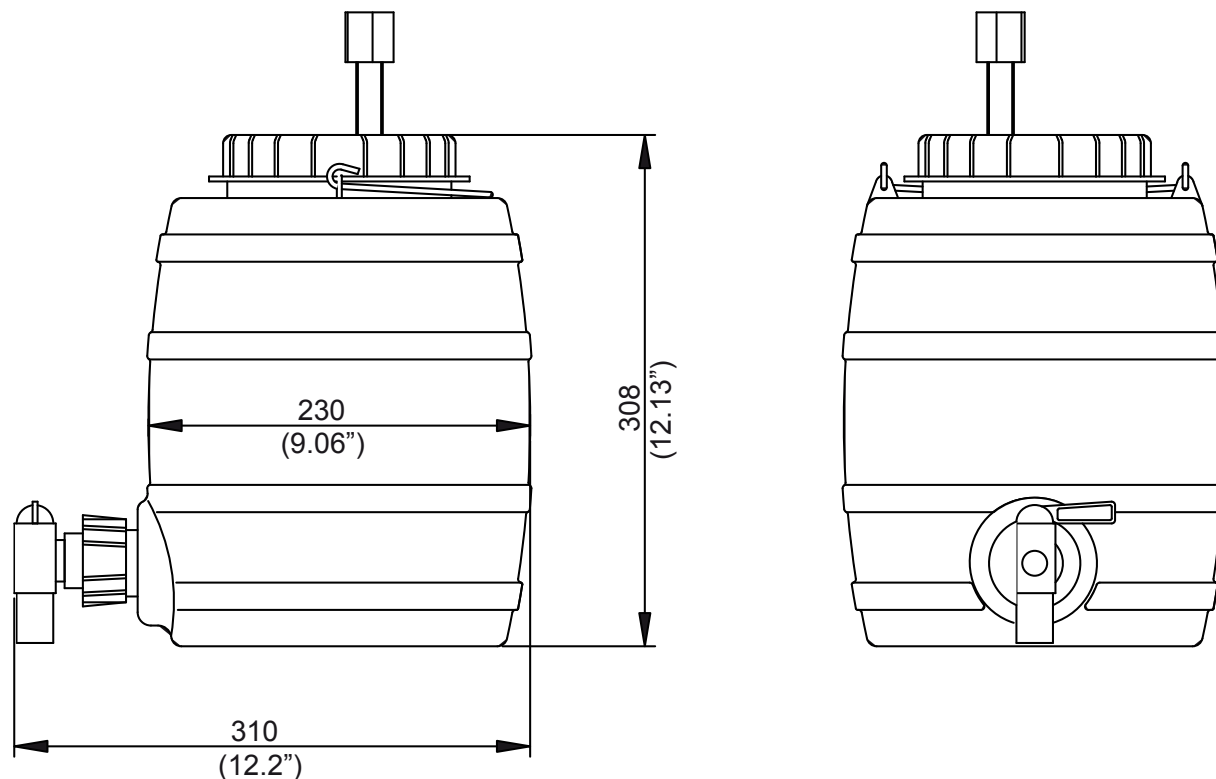
Condensate vessel TK11, TK12/LA5



Dimensions in mm

- *1: Condensate IN
- *2: Ventilation
- *3: Connection thread for level switch LA5
- *4: Condensate OUT (facing to the sides)
- *5: Condensate OUT (facing down) nach unten
- *6: Level switch LA5
- *7: Two additional connections, which are sealed with plugs

Condensate vessel TK13/LA5



Technical Data

Condensate vessel	TG 1	TG 1/LA 1	TG 10
Part number	09 K 4000	09 K 4100	09 K 4050
Contents	approx. 1 litre (approx. 0.26 gal)		
Operating pressure at 20 °C (68 °F)	0.2 to 2 bar abs.		
Sample temperature	0 to +80 °C (32 °F to 176 °F)		
Ambient temperature	0 to +55 °C (32 °F to 131 °F)		
Storage temperature	-15 to +65 °C (5 °F to 149 °F)		
Material of sample contacting parts	glass, PTFE		
Dimensions	145 x 290 x 235 mm (5.71" x 11.42" x 9.25") / w x h x d		
Connections	1 x GL25-12, 1x GL25, 1 x 13 mm nipple	2 x GL25-12, 1 x 13 mm nipple	1 x GL25-12, 1 x 13 mm nipple
Weight	1 kg (2.2 lbs)	1.2 kg (2.65 lbs)	1 kg (2.2 lbs)
With liquid alarm unit	NO (option)	YES	NO
Power supply		115/230 V 50/60 Hz 2 VA	

Condensate vessel	TK 10	TK 11	TK 12/LA5	TK13	TK13/LA5
Part number	09 K 4250	09 K 4200	09 K 4300	09 K 4310	09 K 4320
Contents approx.	1 litre (0.26 gal)			10 litre (2.64 gal)	
Operating pressure at 20 °C (68 °F)	0.2 to 2 bar abs.			atmospheric	
Sample temperature	0 to +50 °C (32 °F to 122 °F)				
Ambient temperature	0 to +55 °C (32 °F to 131 °F)				
Storage temperature	-15 to +65 °C (5 °F to 149 °F)				
Connection condensate IN	1 x G3/8" i, 2 x G1/4" i	1x G3/8" i, 1 x M28 x 1.5 i	1 x G3/8" i, 1 x M28 x 1.5 i, 1 x G1/4" i (ventilation)	3 x DN4/6	2 x DN4/6
Connection condensate OUT	3 x G1/4" i			stopcock ø 11.5	
Dimensions	see drawing			ø 235 mm (ø 9.25"), height 310 mm (12.2")	
Weight	0.5 kg (1.1 lbs)		0.6 kg (1.3 lbs)	1 kg (2.2 lbs)	
Sample contacting parts	PVC, FPM	PVC, FPM	PVC, FPM	PE, rubber, PVDF	
With liquid level alarm	NO	NO (option)	YES	NO	YES
Contact rating				48 V 0.5 A 10 W	